

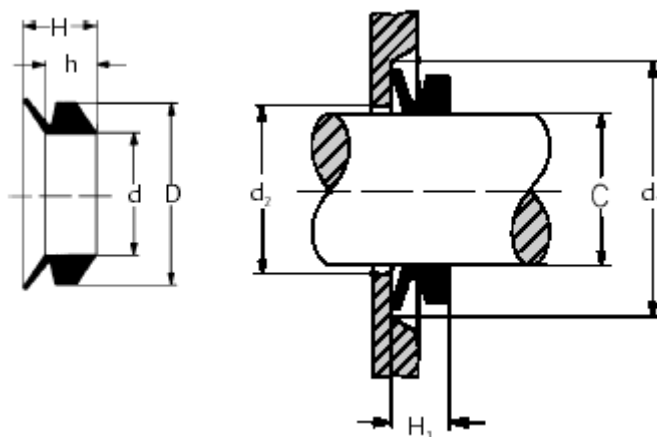
Data Sheet



Article number: 17950100S

Description: KLEE V-ring VS 50-100 NBR 60

Measures



C = 98-105

d = 90.0

D = 102.0

d1 = C+18

d2 = C+4

h = 11.3

H = 15.5

H1 = 13,5 +/- 1,2